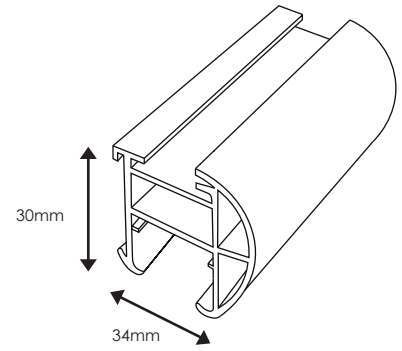
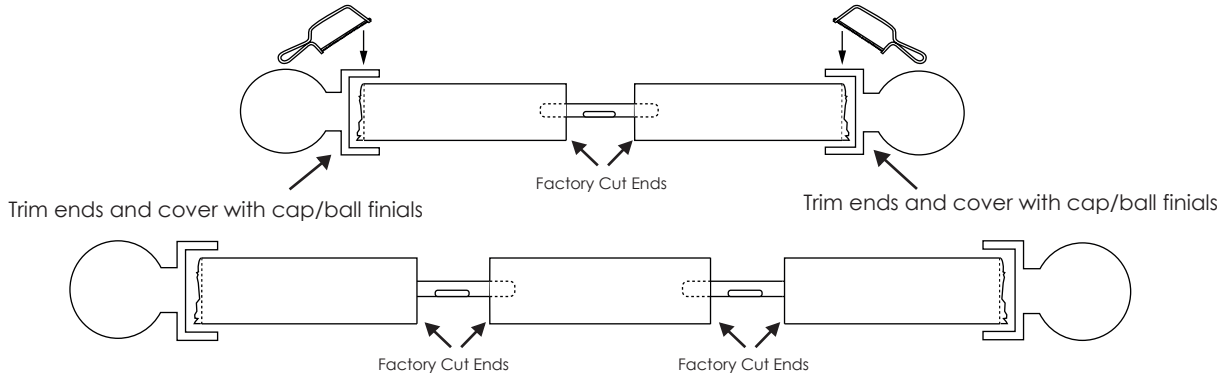


ROUND38 STRAIGHT TRACK



1

Join together factory cut ends and trim off the excess at the track ends only

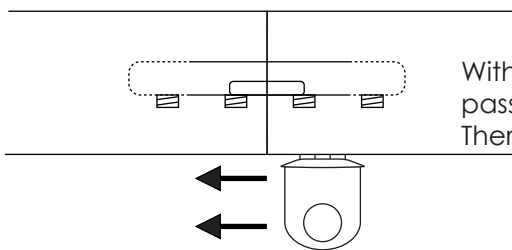
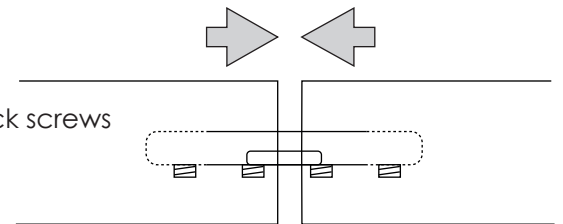


2

Place a support bracket as close as possible to the join

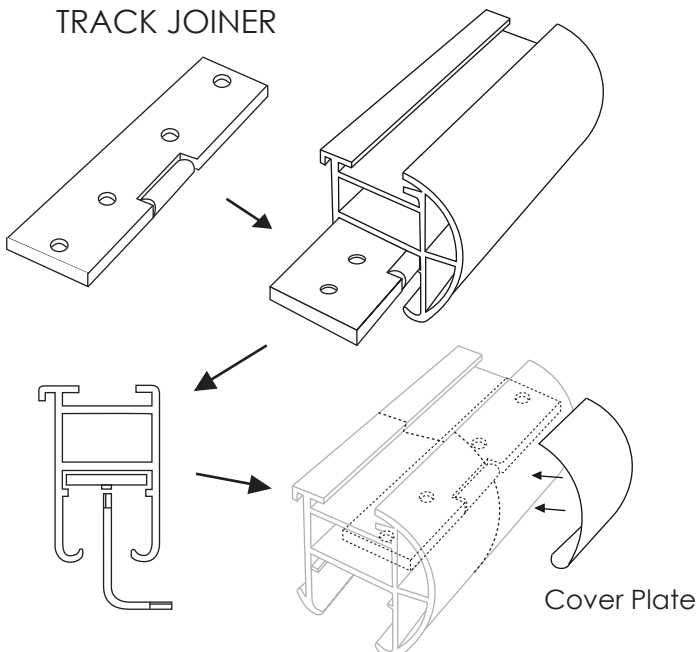
3

Ensure the joins are butted together tightly before tightening lock screws

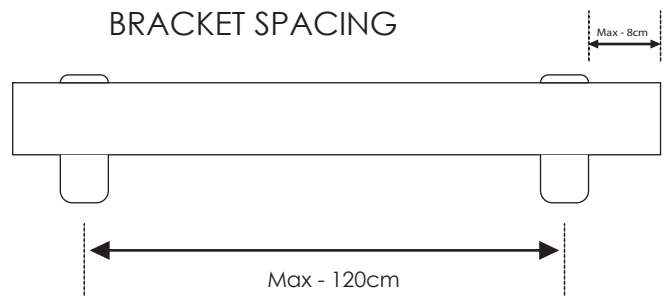


With careful installation gliders will pass over the track joins.
There is no limit to maximum Track Length

TRACK JOINER

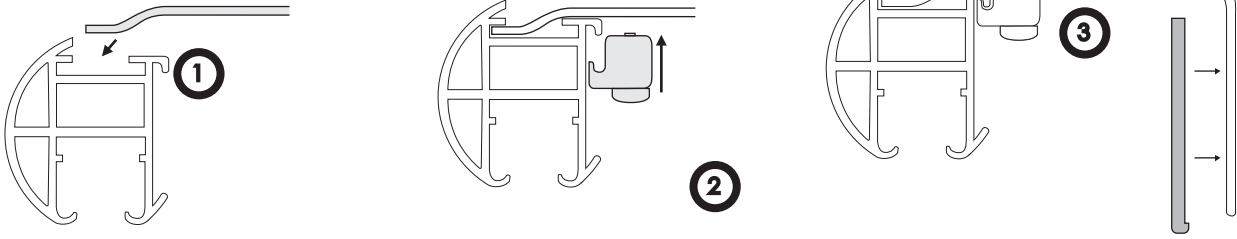


BRACKET SPACING

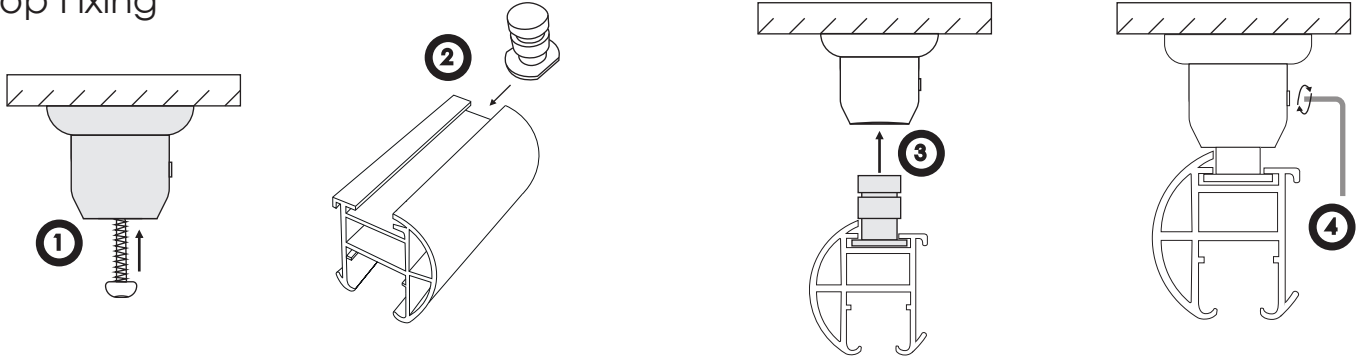


BRACKETS AND FITTINGS

Face Fixing



Top Fixing



Recess Fixing

