

CORDED POLE FORM

Account number:	Delivery Address: <input type="checkbox"/> Account address (please tick)
Account Name:	
Reference:	
Date Ordered:	
Date Required:	

50mm Pole Diameter Only | Exact pole length required EXcluding finials:

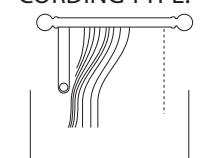
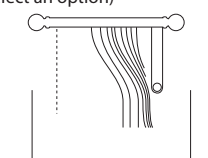
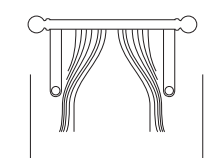
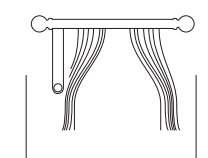
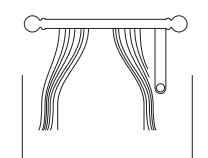
COLOUR OPTION: (Please tick a box)

<input type="checkbox"/> Antique Pine	<input type="checkbox"/> Red Mahogany	<input type="checkbox"/> Antique Gilded	<input type="checkbox"/> White	<input type="checkbox"/> Chalk
<input type="checkbox"/> Light Oak	<input type="checkbox"/> Cherry	<input type="checkbox"/> Gilded	<input type="checkbox"/> Ivory	<input type="checkbox"/> Oyster
<input type="checkbox"/> Natural Mahogany	<input type="checkbox"/> Limed	<input type="checkbox"/> Gold Over White	<input type="checkbox"/> Ivory Woodwash	<input type="checkbox"/> Ash
<input type="checkbox"/> Walnut	<input type="checkbox"/> Black	<input type="checkbox"/> Wash Over Gold	<input type="checkbox"/> Pearl	<input type="checkbox"/> Nimbus
			<input type="checkbox"/> Baroque	<input type="checkbox"/> Slate

CUSTOM COLOUR:

<p>BRACKET STYLE: (Please tick a box)</p> <table border="0"> <tr><td><input type="checkbox"/> Ball</td><td><input type="checkbox"/> Acorn</td></tr> <tr><td><input type="checkbox"/> Beehive</td><td><input type="checkbox"/> Vase</td></tr> <tr><td><input type="checkbox"/> Peardrop</td><td><input type="checkbox"/> Crown</td></tr> <tr><td><input type="checkbox"/> Oriental</td><td><input type="checkbox"/> Flute</td></tr> <tr><td><input type="checkbox"/> Pineapple</td><td><input type="checkbox"/> Cap</td></tr> <tr><td><input type="checkbox"/> Gothic</td><td><input type="checkbox"/> Button</td></tr> </table>	<input type="checkbox"/> Ball	<input type="checkbox"/> Acorn	<input type="checkbox"/> Beehive	<input type="checkbox"/> Vase	<input type="checkbox"/> Peardrop	<input type="checkbox"/> Crown	<input type="checkbox"/> Oriental	<input type="checkbox"/> Flute	<input type="checkbox"/> Pineapple	<input type="checkbox"/> Cap	<input type="checkbox"/> Gothic	<input type="checkbox"/> Button	<p>INSERTED TRACK COLOUR:</p> <table border="0"> <tr><td><input type="checkbox"/> Satin Brass</td></tr> <tr><td><input type="checkbox"/> Antique Brass</td></tr> <tr><td><input type="checkbox"/> Polished Brass</td></tr> <tr><td><input type="checkbox"/> Chrome</td></tr> </table>	<input type="checkbox"/> Satin Brass	<input type="checkbox"/> Antique Brass	<input type="checkbox"/> Polished Brass	<input type="checkbox"/> Chrome	<p>BRACKET OPTION: (Please tick a box)</p> <table border="0"> <tr><td><input type="checkbox"/> Polished Brass</td><td><input type="checkbox"/> Satin Brass</td><td><input type="checkbox"/> Recess Bracket - Bronze</td></tr> <tr><td><input type="checkbox"/> Chrome</td><td><input type="checkbox"/> Antique Brass</td><td><input type="checkbox"/> Recess Bracket - Pewter</td></tr> <tr><td colspan="3">Adjustable Loop Brackets (available in below colours)</td></tr> <tr><td><input type="checkbox"/> White</td><td><input type="checkbox"/> Black</td><td><input type="checkbox"/> Slate</td></tr> <tr><td><input type="checkbox"/> Bronze</td><td><input type="checkbox"/> Oyster</td><td><input type="checkbox"/> Graphite</td></tr> <tr><td><input type="checkbox"/> Pewter</td><td><input type="checkbox"/> Ash</td><td><input type="checkbox"/> Chrome</td></tr> <tr><td><input type="checkbox"/> Chalk</td><td><input type="checkbox"/> Nimbus</td><td><input type="checkbox"/> Almond</td></tr> <tr><td></td><td></td><td><input type="checkbox"/> Wooden Recess</td></tr> </table>	<input type="checkbox"/> Polished Brass	<input type="checkbox"/> Satin Brass	<input type="checkbox"/> Recess Bracket - Bronze	<input type="checkbox"/> Chrome	<input type="checkbox"/> Antique Brass	<input type="checkbox"/> Recess Bracket - Pewter	Adjustable Loop Brackets (available in below colours)			<input type="checkbox"/> White	<input type="checkbox"/> Black	<input type="checkbox"/> Slate	<input type="checkbox"/> Bronze	<input type="checkbox"/> Oyster	<input type="checkbox"/> Graphite	<input type="checkbox"/> Pewter	<input type="checkbox"/> Ash	<input type="checkbox"/> Chrome	<input type="checkbox"/> Chalk	<input type="checkbox"/> Nimbus	<input type="checkbox"/> Almond			<input type="checkbox"/> Wooden Recess
<input type="checkbox"/> Ball	<input type="checkbox"/> Acorn																																									
<input type="checkbox"/> Beehive	<input type="checkbox"/> Vase																																									
<input type="checkbox"/> Peardrop	<input type="checkbox"/> Crown																																									
<input type="checkbox"/> Oriental	<input type="checkbox"/> Flute																																									
<input type="checkbox"/> Pineapple	<input type="checkbox"/> Cap																																									
<input type="checkbox"/> Gothic	<input type="checkbox"/> Button																																									
<input type="checkbox"/> Satin Brass																																										
<input type="checkbox"/> Antique Brass																																										
<input type="checkbox"/> Polished Brass																																										
<input type="checkbox"/> Chrome																																										
<input type="checkbox"/> Polished Brass	<input type="checkbox"/> Satin Brass	<input type="checkbox"/> Recess Bracket - Bronze																																								
<input type="checkbox"/> Chrome	<input type="checkbox"/> Antique Brass	<input type="checkbox"/> Recess Bracket - Pewter																																								
Adjustable Loop Brackets (available in below colours)																																										
<input type="checkbox"/> White	<input type="checkbox"/> Black	<input type="checkbox"/> Slate																																								
<input type="checkbox"/> Bronze	<input type="checkbox"/> Oyster	<input type="checkbox"/> Graphite																																								
<input type="checkbox"/> Pewter	<input type="checkbox"/> Ash	<input type="checkbox"/> Chrome																																								
<input type="checkbox"/> Chalk	<input type="checkbox"/> Nimbus	<input type="checkbox"/> Almond																																								
		<input type="checkbox"/> Wooden Recess																																								

CORDING TYPE: (please select an option)

				
Single Curtain Left Hand Side Control Max Length 2.4m	Single Curtain Right Hand Side Control Max Length 2.4m	Dual Control Pair of curtains Max Length 4.8m (extra charge)	Pair of Curtains Left Hand Side Control Max Length 4.8m	Pair of Curtains Right Hand Side Control Max Length 4.8m
<input type="checkbox"/>	<input type="checkbox"/>	<input type="checkbox"/>	<input type="checkbox"/>	<input type="checkbox"/>

To enable this product to meet BS EN1320 (child safety for blinds regulations) the cord for tensioning device **MUST** be used and must be fitted at least 1.5m from the floor.

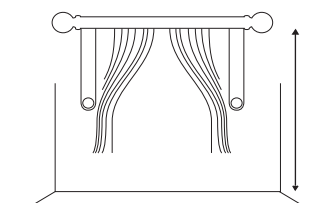
To meet the standard we must supply the product with a cord that must not extend below 1.5m from the floor.

Please let us know the fitting height of the pole you are order and we will supply the suitable amount of cording.

Note: Because of these regulations, poles mounted 2.0m or less may be difficult to operate satisfactorily.

For low mounted poles, consider using Hand-Drawn tracks without a cord.

FITTING HEIGHT REQUIRED: (Measurement from Floor to underside the pole)



..... cm/ins